

TEUPEN[®]
...access redefined

TL156AX

Platform Height:
156 ft 6 in (47.7 m)

Lateral Reach:
49 ft 1 in (15.2 m)

Machine Width:
5 ft 3 in (1.58 m)

Machine Height:
6 ft 6 in (1.99 m)

Machine Weight:
29,762 lbs (13,500 kg)

- Compact design, travels through a double door
- Light, low surface load for use on sensitive flooring
- Smooth, proportional electro-hydraulic controls
- Reliable and comprehensive safety control system
- Hydrostatic platform leveling
- Onboard diagnostics
- Automatic self leveling outrigger system
- Setup on slopes up to 30%
- Dual power (diesel and A/C electric) for operating indoor and outdoor
-

Teupen USA, Inc.
PO Box 938
Pineville, NC 28134
info@teupen-usa.com



Toll Free - 877 838 7361
www.Teupen-usa.com

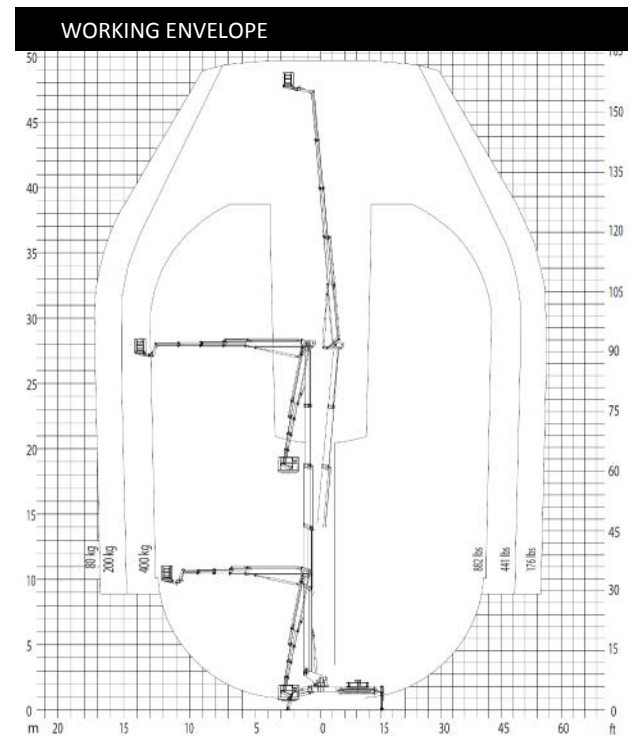
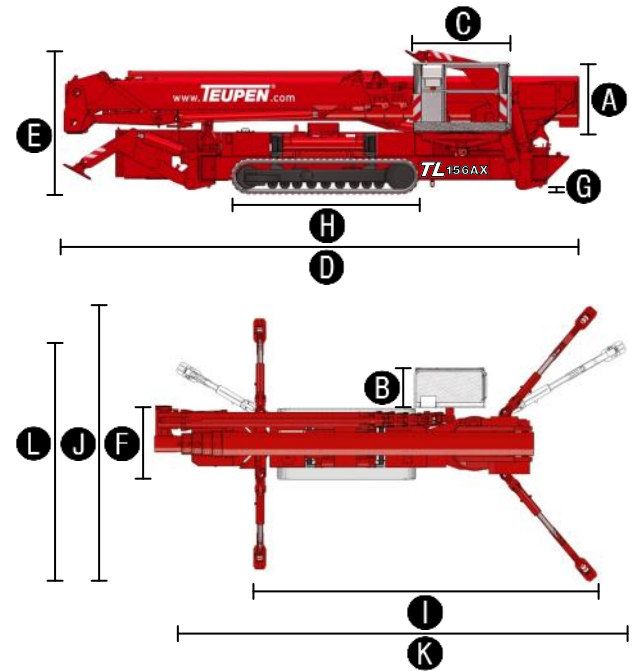
Specifications

MEASUREMENTS	US	Metric
Platform height with 441 lbs	156 ft 6 in	47,70 m
Platform height with 882 lbs	120 ft 3 ¼ in	36,50 m
Horizontal outreach with 176 lbs	57 ft 1 in	17,40 m
Horizontal outreach with 441 lbs	49 ft 1 in	15,20 m
Horizontal outreach with 882 lbs	42 ft 7 ¾ in	13,00 m
Up-and-over clearance, max.	86 ft 11 ½ in	26,50 m
Platform height (A)	3 ft 7 in	1,10 m
Platform length (B)	2 ft 8 in	0,80 m
Platform width (C)	4 ft 11 in	1,50 m
Length, overall (D)	27 ft 9 in	8,45 m
Height, travelling position (E)	6 ft 6 in	1,98 m
Width, min. (F)	5 ft 3 in	1,58 m
Ground clearance, max. (G)	1 ft 11 in	0,58 m
Track (L x W) (H)	9ft 10in x 1ft 3¾in	3,00 m x 0,40 m
Length outrigger footprint standard (I)	24 ft 11 in	7,60 m
Width outrigger footprint standard (J)	18 ft 2 ½ in	5,65 m
Length footprint one side narrow (K)	32 ft 2 in	9,80 m
Width footprint one side narrow (L)	13 ft 9 ⅘ in	4,20 m
Outrigger plate (L x W)	20 ½ in x 10 ½ in	0,52 m x 0,27 m

PRODUCTIVITY	US	Metric
Basket capacity	882 lbs	400 kg
Movable Jib	-	-
Basket rotation	180°	180°
Turret rotation	450°	450°
Turret rotation, one side narrow	120°	120°
Stabilization, maximum ground slope	16.7°/30.0 %	16,7°/30,0 %
Height and width track adjustment	19 ¾/12 ½ in	50/32 cm
Gradeability, max.	16.7°/30.0 %	16,7°/30,0 %
Slope angle	16.7°/30.0%	16,7°/30,0 %
Travel speed	1.0 mph	1,6 km/h

WEIGHT	US	Metric
Total weight	29,762 lbs	13.500 kg
Live load in travelling position*	114 psf	5,50 kN/m ²
Live load in working position	79 psf	3,80 kN/m ²

POWER	US	Metric
Power sources (Electric and combustion engine)	1) Electric: 400 V, 15,7 A, 7,5 kW 2) Diesel: Kubota V 2203-M (20.1 kW/26.9 hp)	
Fuel tank capacity Diesel engine	80,0 l	21.1 gal



STANDARDS COMPLIANCE



EN ISO 9001



ANSI/SIA A92.5-2006 section 4 & CSA B354.1-2004
"Design & manufacture criteria"

Product specifications are subject to change without notice or obligation. Photographs and drawings in this document are for illustrative purposes only. Refer to the appropriate Operator's Manual for instructions on the proper use of this equipment. Failure to follow the appropriate Operator's Manual when using our equipment or to otherwise act irresponsibly may result in serious injury or death. The only warranty applicable to our equipment is the standard written warranty applicable to the particular product and sale and we make no other warranty, expressed or implied. Products and services listed may be trademarks, service marks or trade-names of Teupen Maschinenbau GmbH and/or its subsidiaries in the U.S.A. and many other countries. "Teupen", "Access redefined" and "LEO Series" are registered Trademarks of Teupen GmbH in the United States of America and many other countries. Version 2014-A © 2014 Teupen Maschinenbau GmbH.

* When an area has been cordoned off: 2,40 x 10,00 m/7 ft 10